

ICT Tools You Tube Link

ICT Tools : You Tube video

Class TE Electrical

Date: 23/12/2019

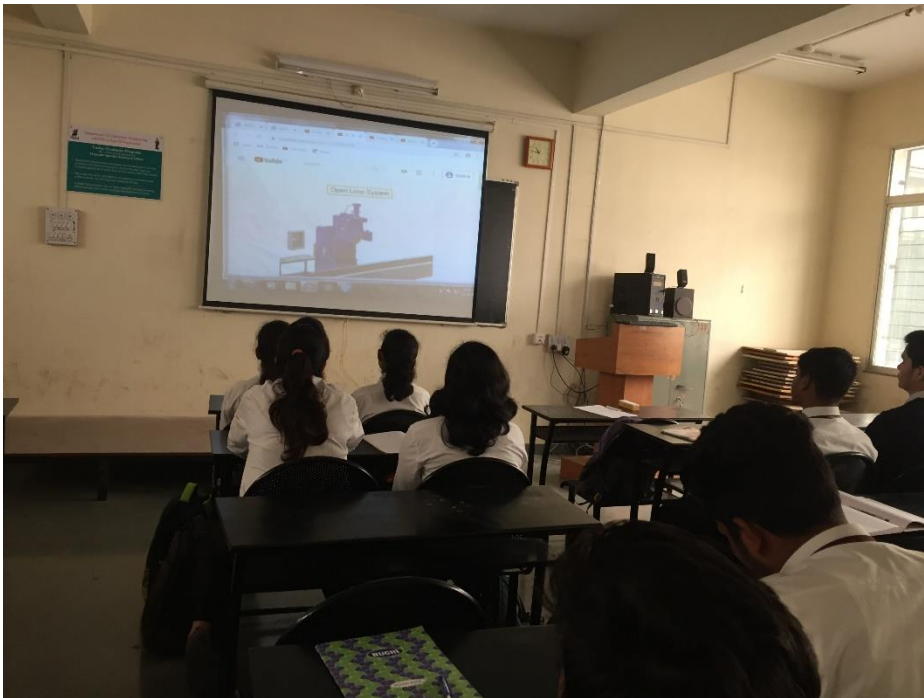
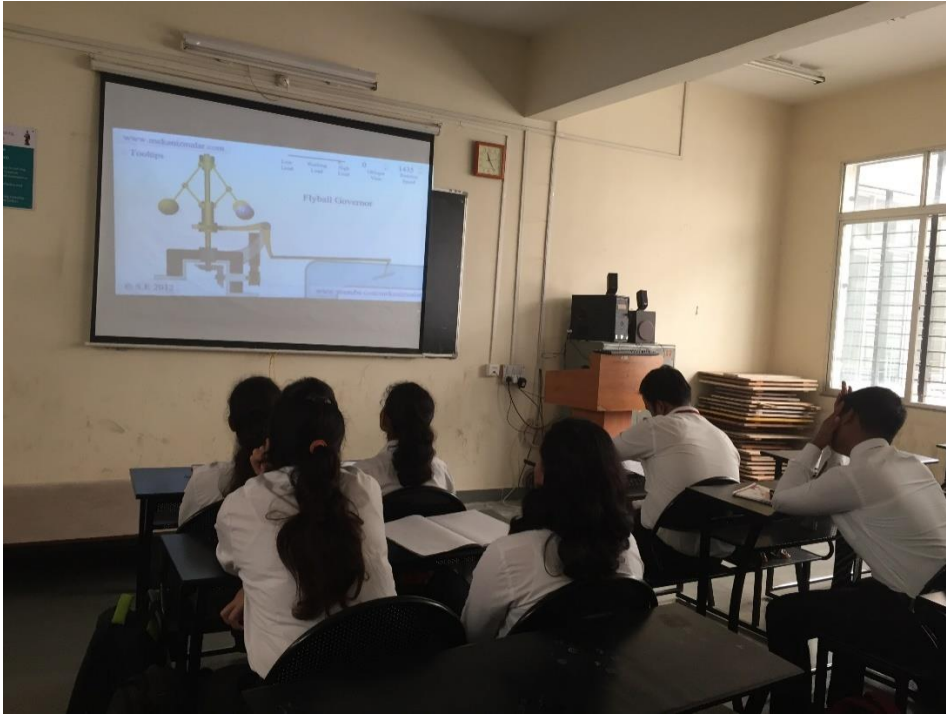
Sub: Control System I

You tube videos on classification of control system and Fly ball governor

https://www.youtube.com/watch?v=HS_YGZXP2xY

<https://www.youtube.com/watch?v=FurC2unHeXI>

<https://in.mathworks.com/videos/understanding-control-systems-part-3-components-of-a-feedback-control-system-123645.html>



ATG

TE Electrical

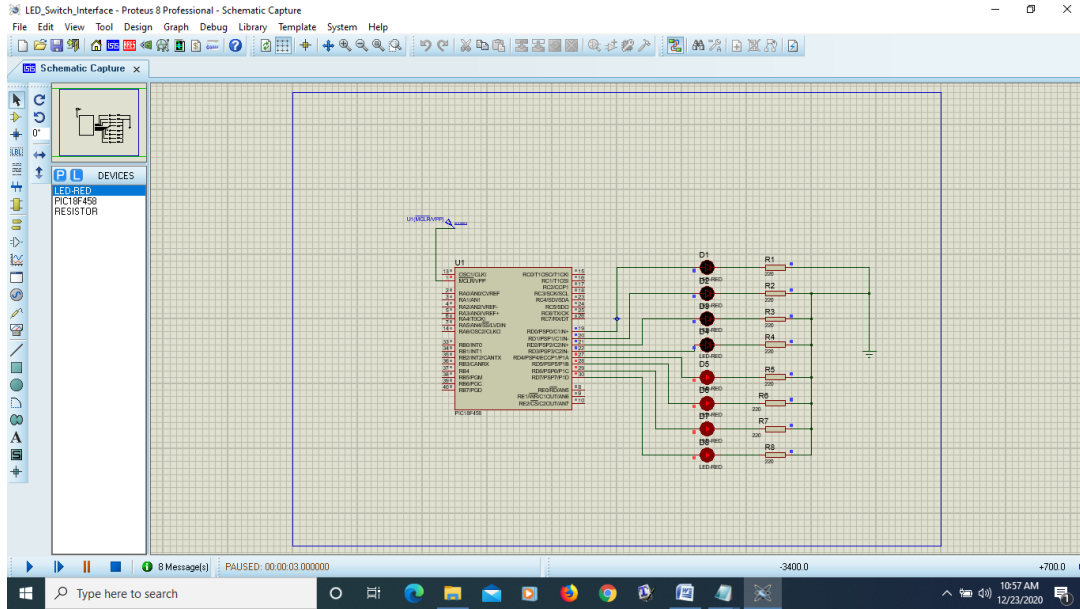
2019-20

Sub:Advance Microcontroller and Its Applications

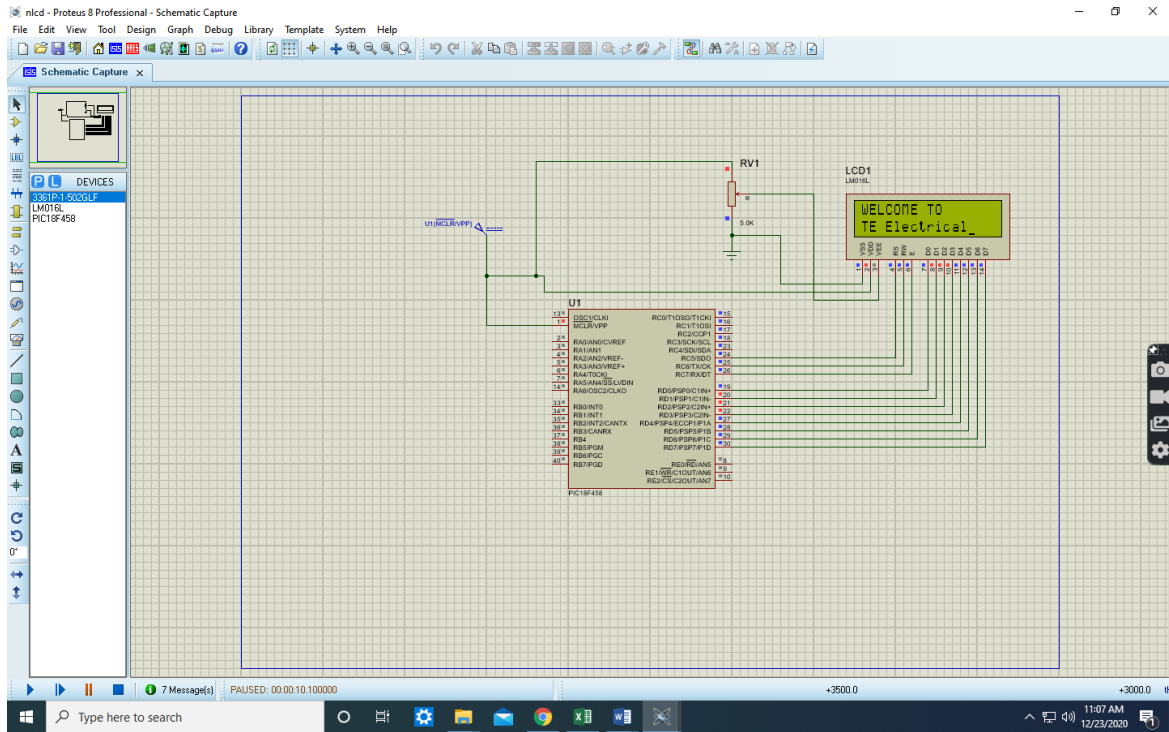
Activities to Enhance Teaching/ICT based activity

Proteus Simulation

LED Interface



LCD Interface



ALLO

HODAD
HODAD
Department of Electrical Engineering
AISSMS College of Engineering, Pune

NPTEL Video Lectures Links

| Sr no | Unit Name | Lecture Links |
|-------|---------------------------------------|---|
| 1 | Introduction to Turbo machines | https://onlinecourses.nptel.ac.in/noc17_me22/unit?unit=43&lesson=48 https://onlinecourses.nptel.ac.in/noc17_me22/unit?unit=52&lesson=54 https://onlinecourses.nptel.ac.in/noc17_me22/unit?unit=14&lesson=16 |
| 2 | Impulse Turbine | https://onlinecourses.nptel.ac.in/noc17_me22/unit?unit=59&lesson=63 https://onlinecourses.nptel.ac.in/noc17_me22/unit?unit=52&lesson=55 www.me.udel.edu/~prasad/meeg331/labs/jet.pd |
| 3 | Reaction Turbine | https://onlinecourses.nptel.ac.in/noc17_me22/unit?unit=59&lesson=64 https://onlinecourses.nptel.ac.in/noc17_me22/unit?unit=43&lesson=46 https://onlinecourses.nptel.ac.in/noc17_me22/unit?unit=59&lesson=65 |
| 4 | Steam Turbine | https://onlinecourses.nptel.ac.in/noc17_me22/unit?unit=68&lesson=71 https://onlinecourses.nptel.ac.in/noc17_me22/unit?unit=68&lesson=72 |
| 5 | Centrifugal Pump | https://onlinecourses.nptel.ac.in/noc17_me22/unit?unit=59&lesson=62 https://onlinecourses.nptel.ac.in/noc17_me22/unit?unit=59&lesson=65 |
| 6 | Centrifugal and Axial Flow Compressor | https://onlinecourses.nptel.ac.in/noc17_me22/unit?unit=68&lesson=70 https://onlinecourses.nptel.ac.in/noc17_me22/unit?unit=14&lesson=17 |

Use of ICT Tools for Design of Simple Machine Elements – I Subject

Faculty: Prof. G N Jagdale

Power screw

<http://nptel.ac.in/courses/112105124/18>

<http://nptel.ac.in/courses/112105124/19>

Design of shafts, keys and couplings

<http://nptel.ac.in/courses/112105124/20>

<http://nptel.ac.in/courses/112105124/21>

Design of mechanical springs

<http://nptel.ac.in/courses/112105124/27>

<http://nptel.ac.in/courses/112105124/28>

<http://nptel.ac.in/courses/112105124/29>

Design of welded joints

<http://nptel.ac.in/courses/112105124/23>

<http://nptel.ac.in/courses/112105124/24>

Design of simple machine elements

<http://nptel.ac.in/courses/112105124/35>

<http://nptel.ac.in/courses/112105124/36>

Design for fluctuating load

https://www.youtube.com/watch?v=qUr4qZ4gD_w

<https://www.youtube.com/watch?v=SLqkITQfN1I>



**Head of Department
Mechanical Engineering
AISSMS, COE, PUNE,**